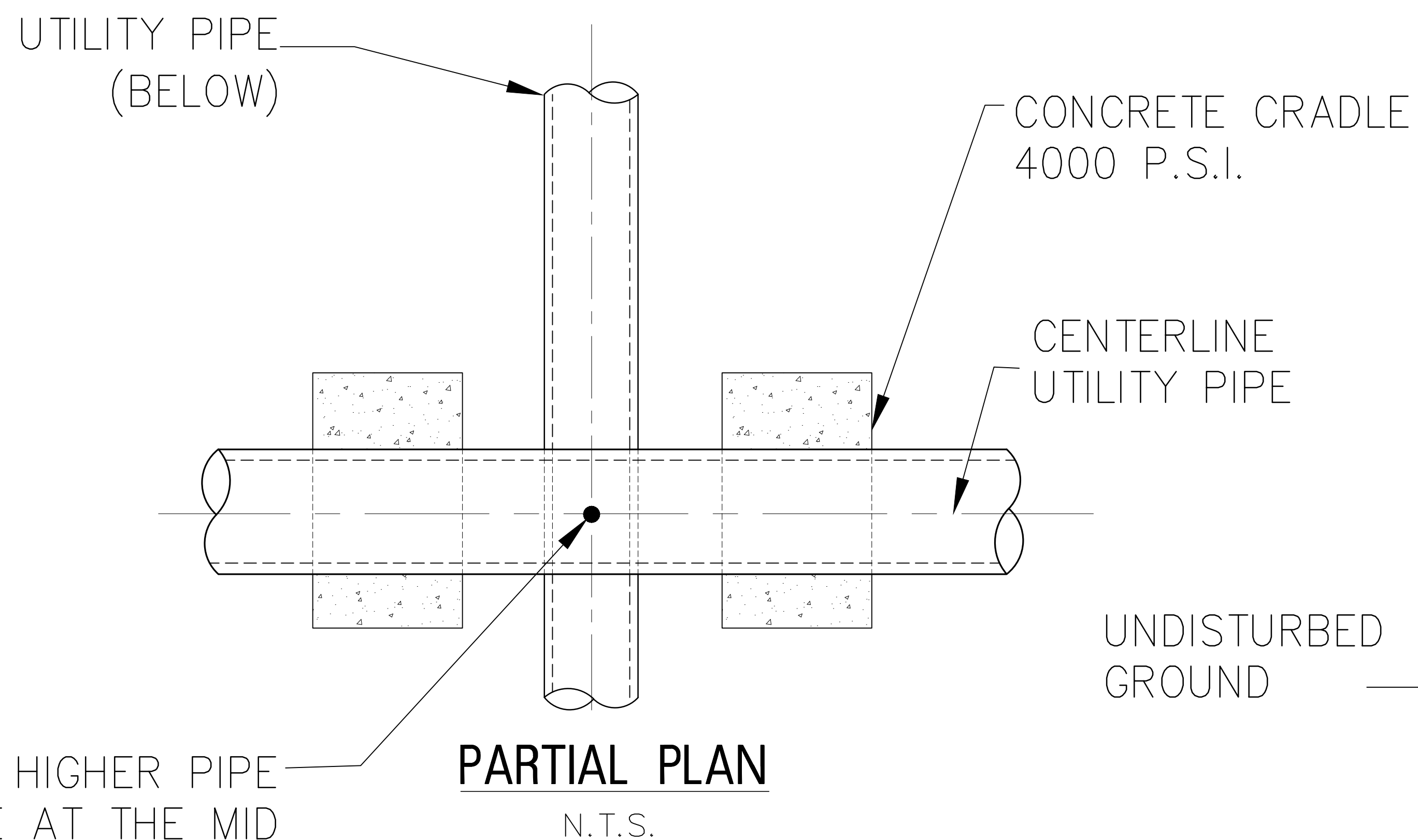


CONCRETE CRADLE DETAIL



PLACE HIGHER PIPE ABOVE AT THE MID POINT OF THE PIPE SECTION BEING INSTALLED

