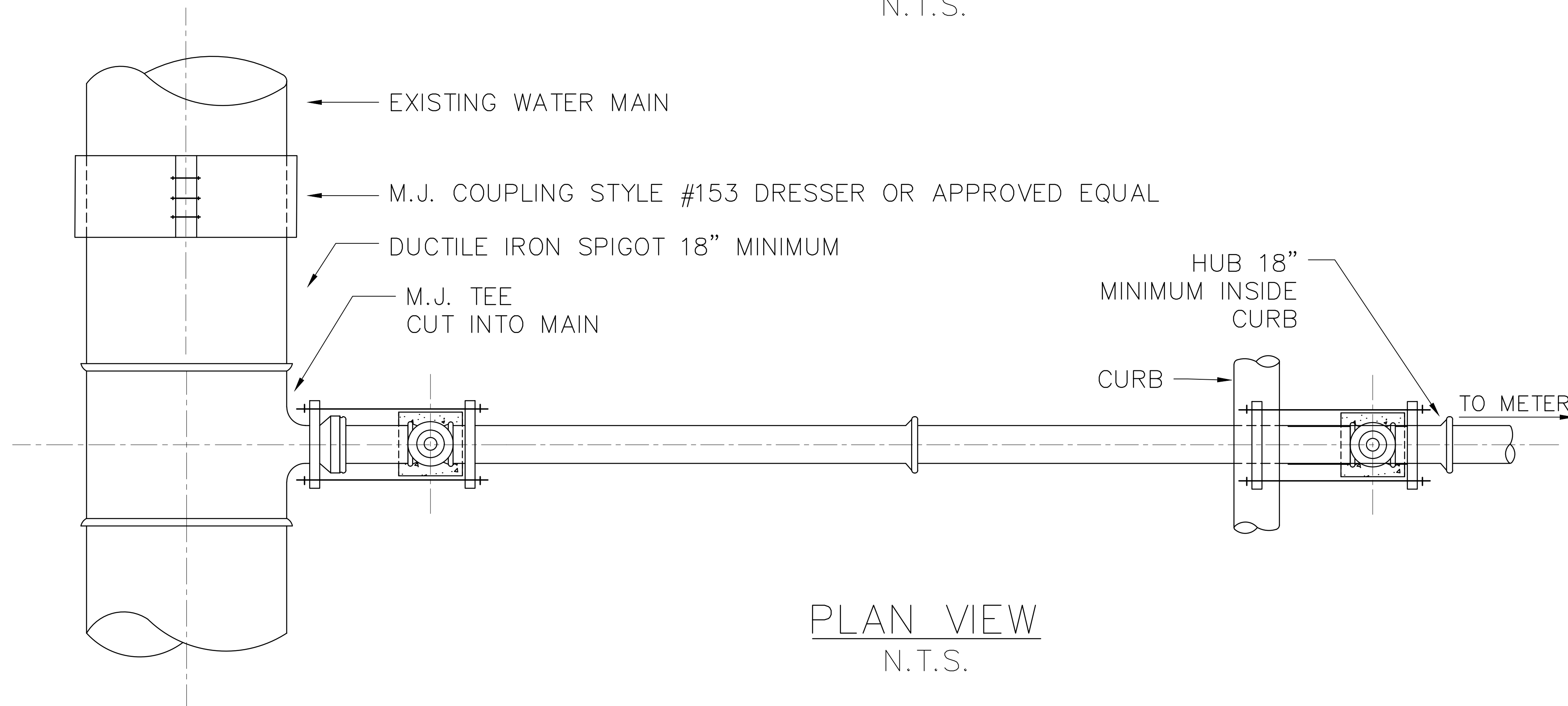
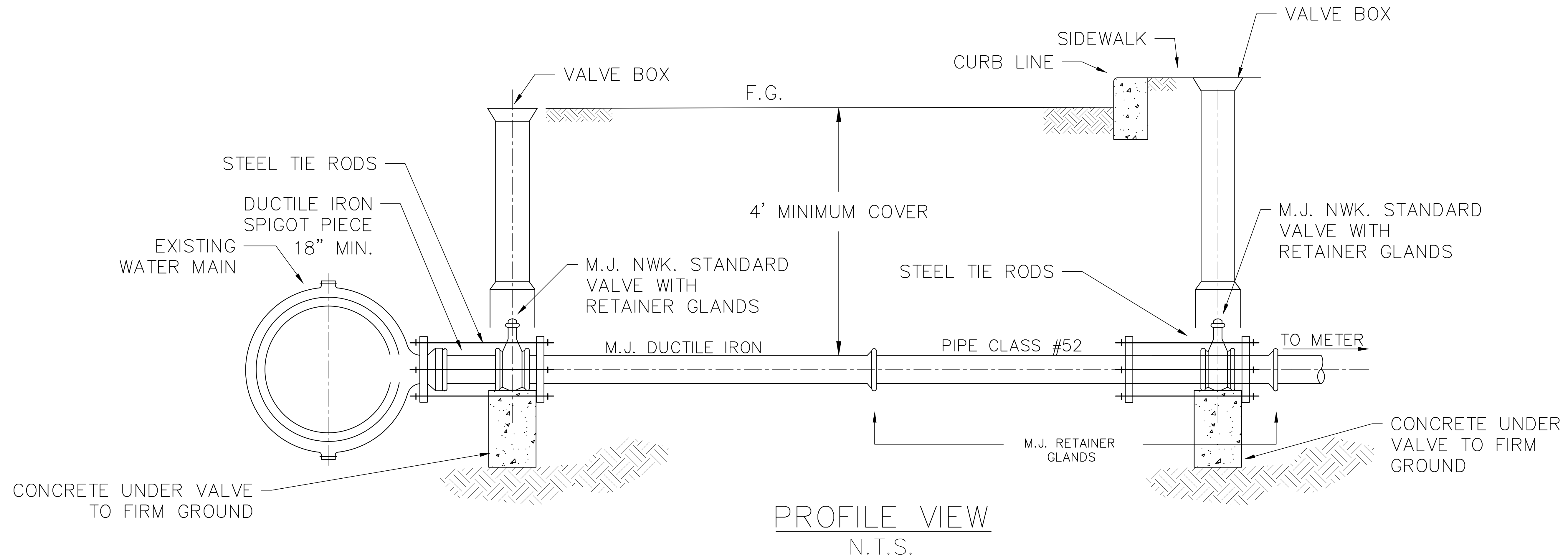


CITY OF NEWARK, NEW JERSEY
**TYPICAL INSTALLATION OF TEE
INTO WATER MAIN**



NOTES:

1. SERVICE INSTALLATIONS ARE TO BE AT LEAST ONE SIZE LESS THAN THE SIZE OF THE MAIN. THIS INSTALLATION WILL BE ALLOWED ONLY UNDER SPECIAL CONDITIONS APPROVED BY THE DIVISION. DIVISION FORCES WILL SHUT DOWN THE MAIN IN ORDER THAT THE INSTALLATION CAN BE MADE.
2. NOTICE SHALL BE GIVEN TO THE WATER DEPARTMENT PRIOR TO CONSTRUCTION
3. TYPE OF CONNECTION & MATERIAL FOR WATER MAIN WORK MUST BE APPROVED BY THE CITY OF NEWARK BEFORE ANY WORK IS PERFORMED.

