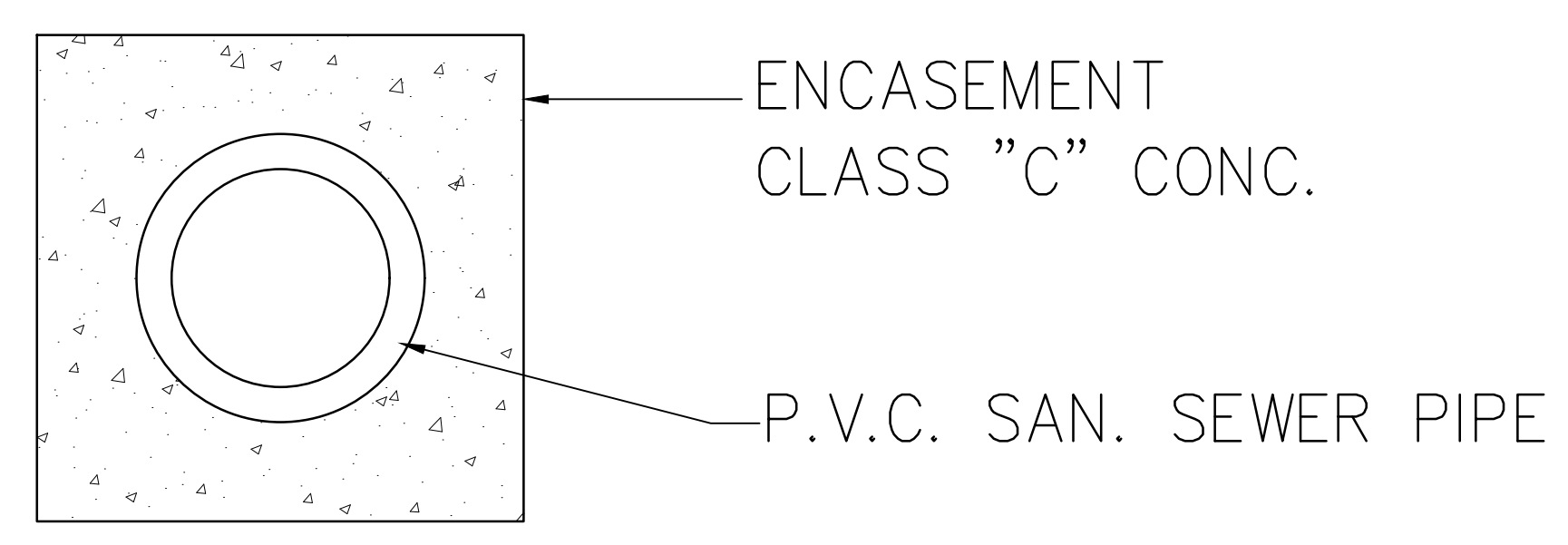
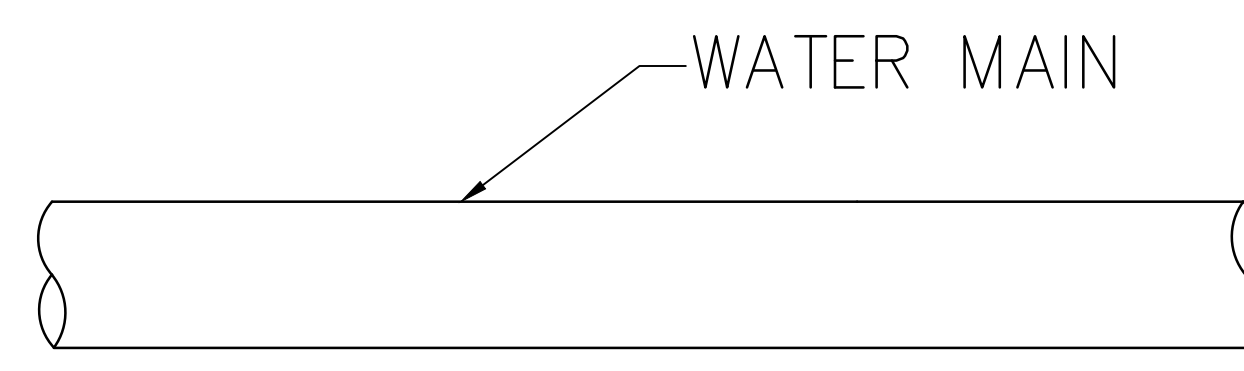
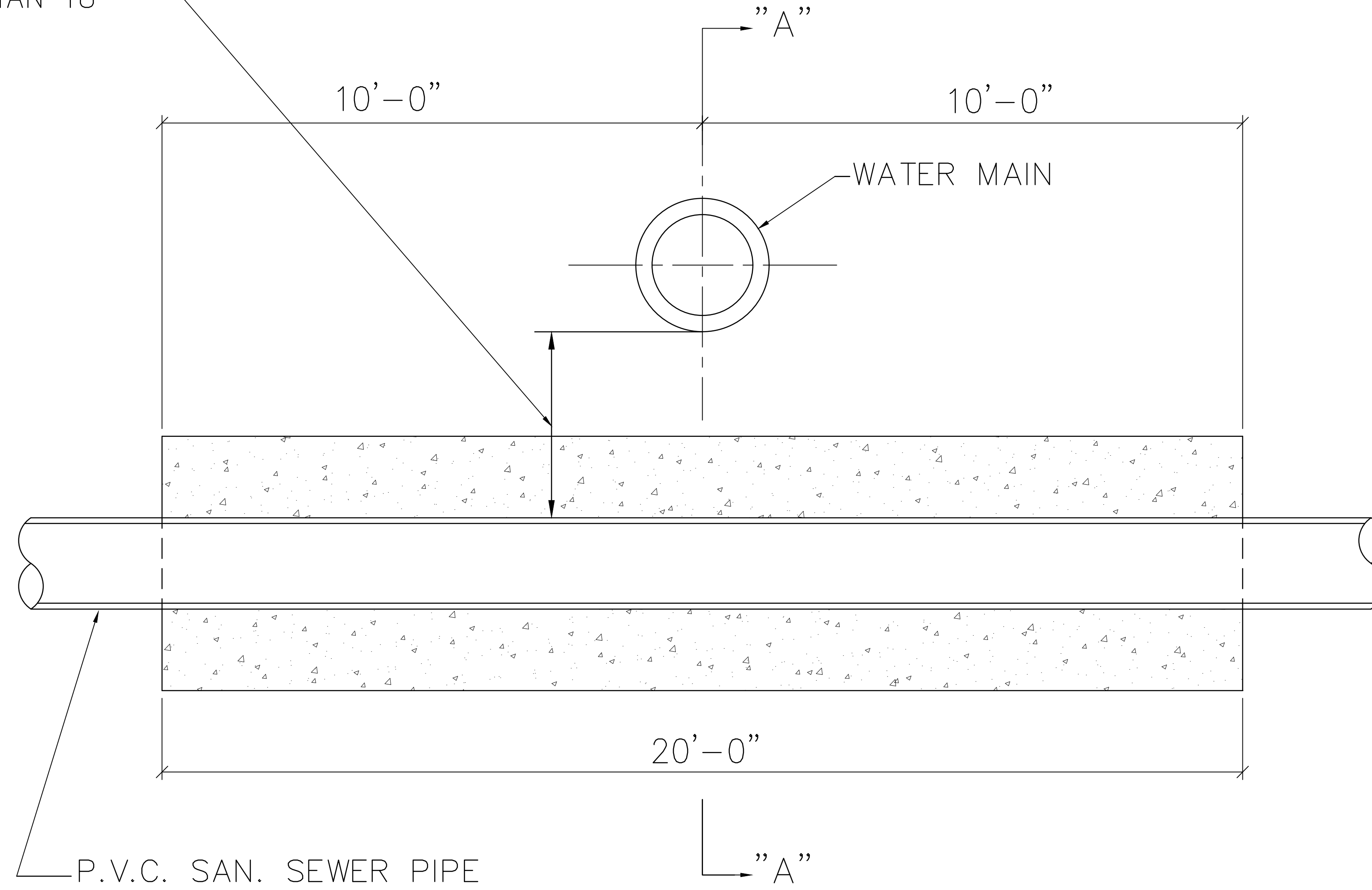


CONCRETE ENCASEMENT REQUIRED
WHERE CLEARANCE BETWEEN SAN.
SEWER PIPE & WATER MAIN IS
LESS THAN 18"



SECTION "A-A"

NTS

CREATED: 6-5-2023

WATER - DETAIL 48

CITY OF NEWARK, NEW JERSEY

CONCRETE ENCASEMENT

