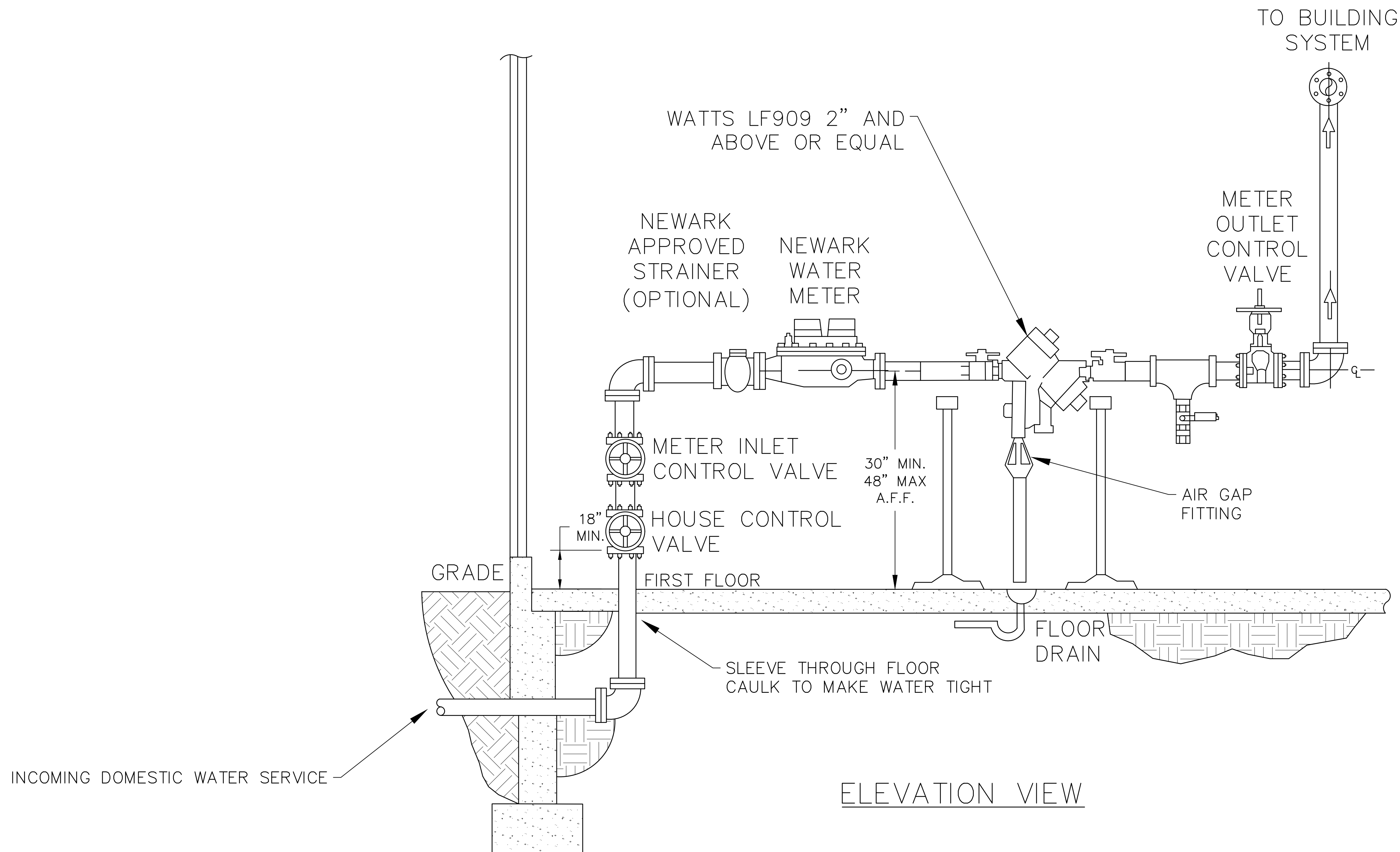


**DOMESTIC WATER SERVICE - FIRST FLOOR  
(REDUCED PRESSURE ZONE)**



NOTE:

1. SUMP PUMP SHALL HAVE BACKUP BATTERY OR BE CONNECTED TO THE BACKUP GENERATOR
2. RPZ TYPE SUCH AS BACKFLOW PREVENTER OR DOUBLE CHECK VALVE DESIGN MUST BE APPROVED BY THE CITY OF NEWARK DEPARTMENT OF WATER AND SEWER BEFORE CONSTRUCTION.

