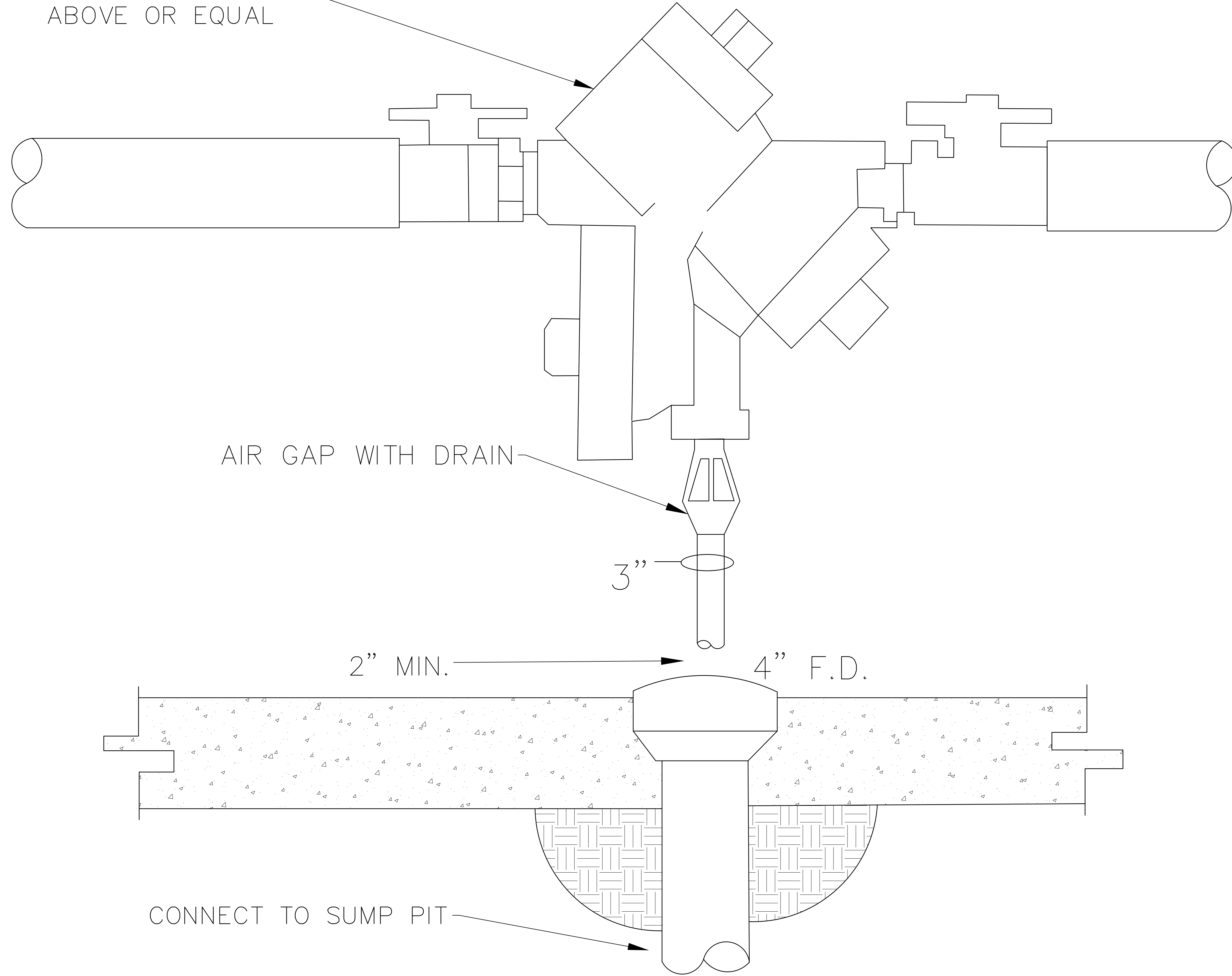


WATTS LF909 2" AND ABOVE OR EQUAL



AIR GAP WITH DRAIN

3"

2" MIN.

4" F.D.

CONNECT TO SUMP PIT

CREATED: 5-23-2023

WATER - DETAIL 41

CITY OF NEWARK, NEW JERSEY

DRAINAGE DETAILS FOR REDUCED PRESSURE ZONES

