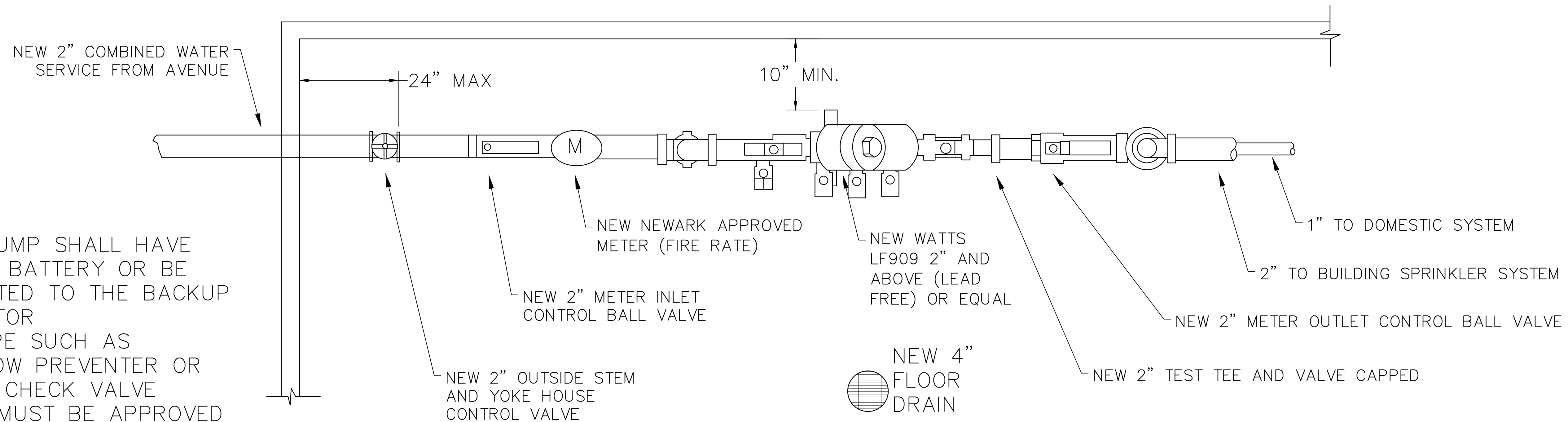


NEW 2" COMBINED WATER SERVICE, DOMESTIC WITH SPRINKLER ELEVATION



NEW 2" COMBINED WATER SERVICE, DOMESTIC WITH SPRINKLER PLAN

- NOTE:
1. SUMP PUMP SHALL HAVE BACKUP BATTERY OR BE CONNECTED TO THE BACKUP GENERATOR
  2. RPZ TYPE SUCH AS BACKFLOW PREVENTER OR DOUBLE CHECK VALVE DESIGN MUST BE APPROVED BY THE CITY OF NEWARK DEPARTMENT OF WATER AND SEWER BEFORE CONSTRUCTION.

CREATED: 5-23-2023

WATER - DETAIL 40

CITY OF NEWARK, NEW JERSEY

**COMBINED WATER SERVICE, DOMESTIC WITH FIRE SERVICE - FIRST FLOOR**

