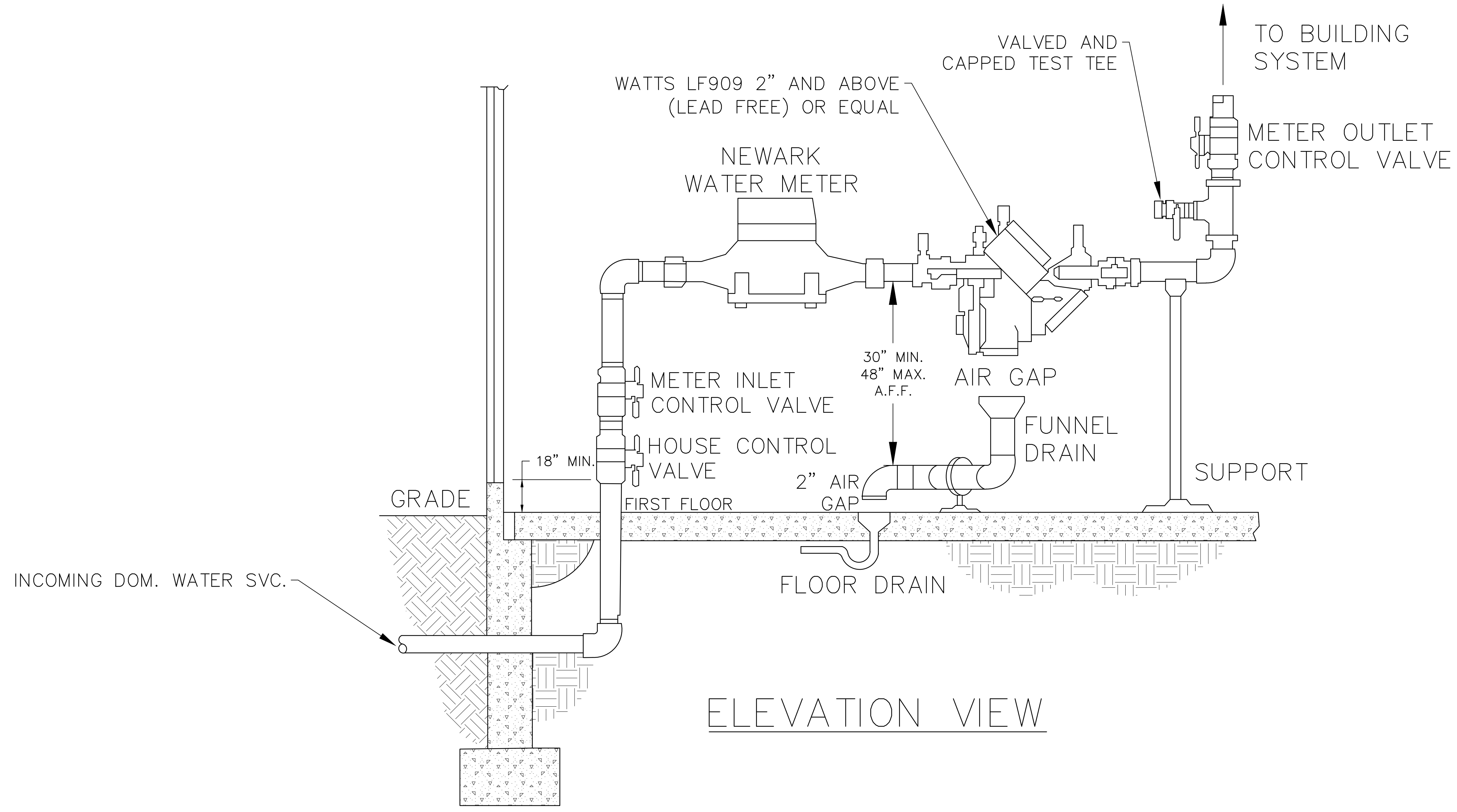
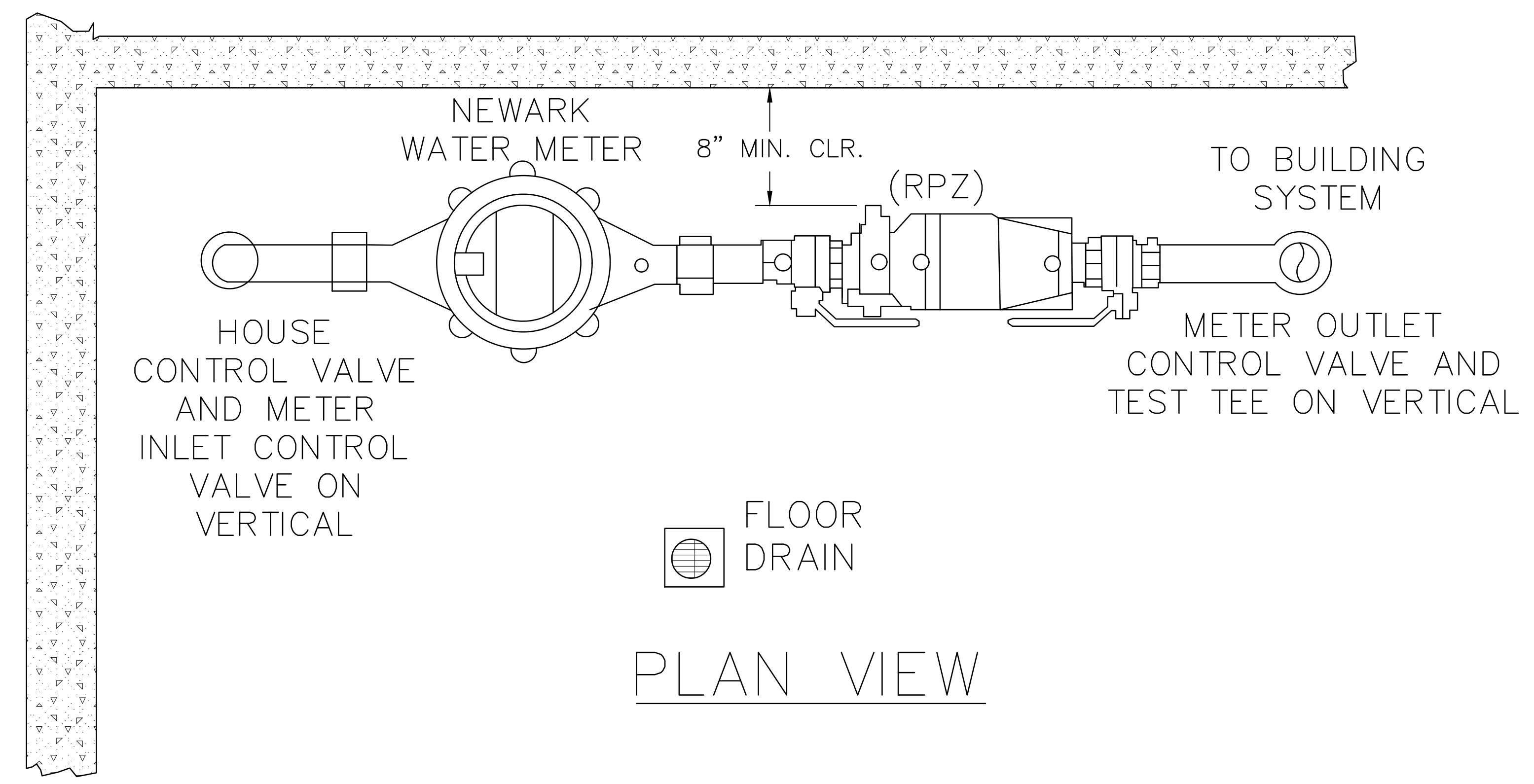


CITY OF NEWARK, NEW JERSEY
**SEPERATE DOMESTIC REDUCED
PRESSURE ZONE ASSEMBLY**



ELEVATION VIEW



PLAN VIEW

NOTE:

1. SUMP PUMP SHALL HAVE BACKUP BATTERY OR BE CONNECTED TO THE BACKUP GENERATOR
2. RPZ TYPE SUCH AS BACKFLOW PREVENTER OR DOUBLE CHECK VALVE DESIGN MUST BE APPROVED BY THE CITY OF NEWARK DEPARTMENT OF WATER AND SEWER BEFORE CONSTRUCTION.