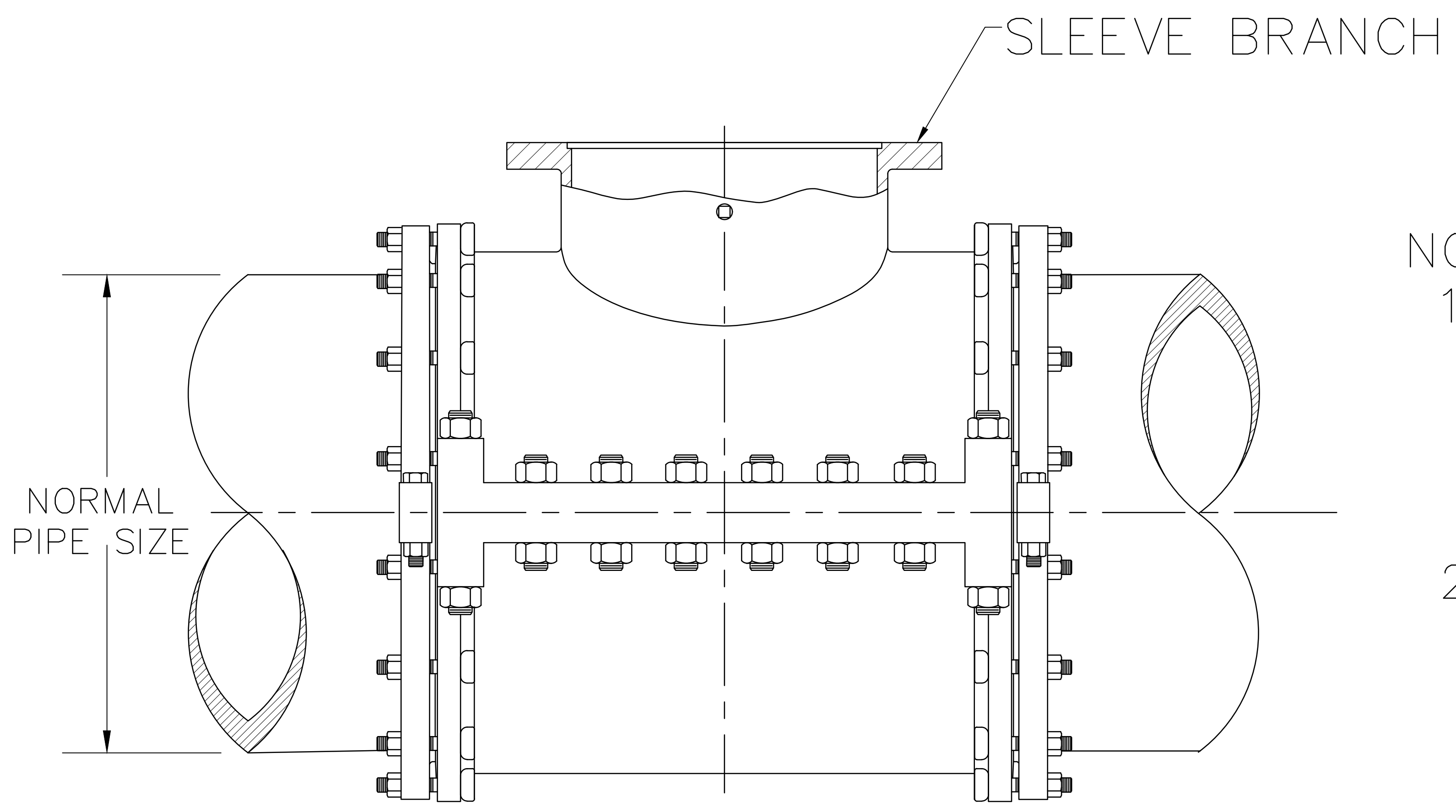


TAPPING VALVE FLANGE



SLEEVE BRANCH

NORMAL PIPE SIZE

NOTE:

1. TYPE OF CONNECTION & MATERIAL FOR WATER MAIN WORK MUST BE APPROVED BY THE CITY OF NEWARK BEFORE ANY WORK IS PERFORMED.
2. ALL HARDWARE TO BE 304 STAINLESS STEEL.

APPROVED MANUFACTURERS:

1. AMERICAN FLOW CONTROL
2. MUELLER

