

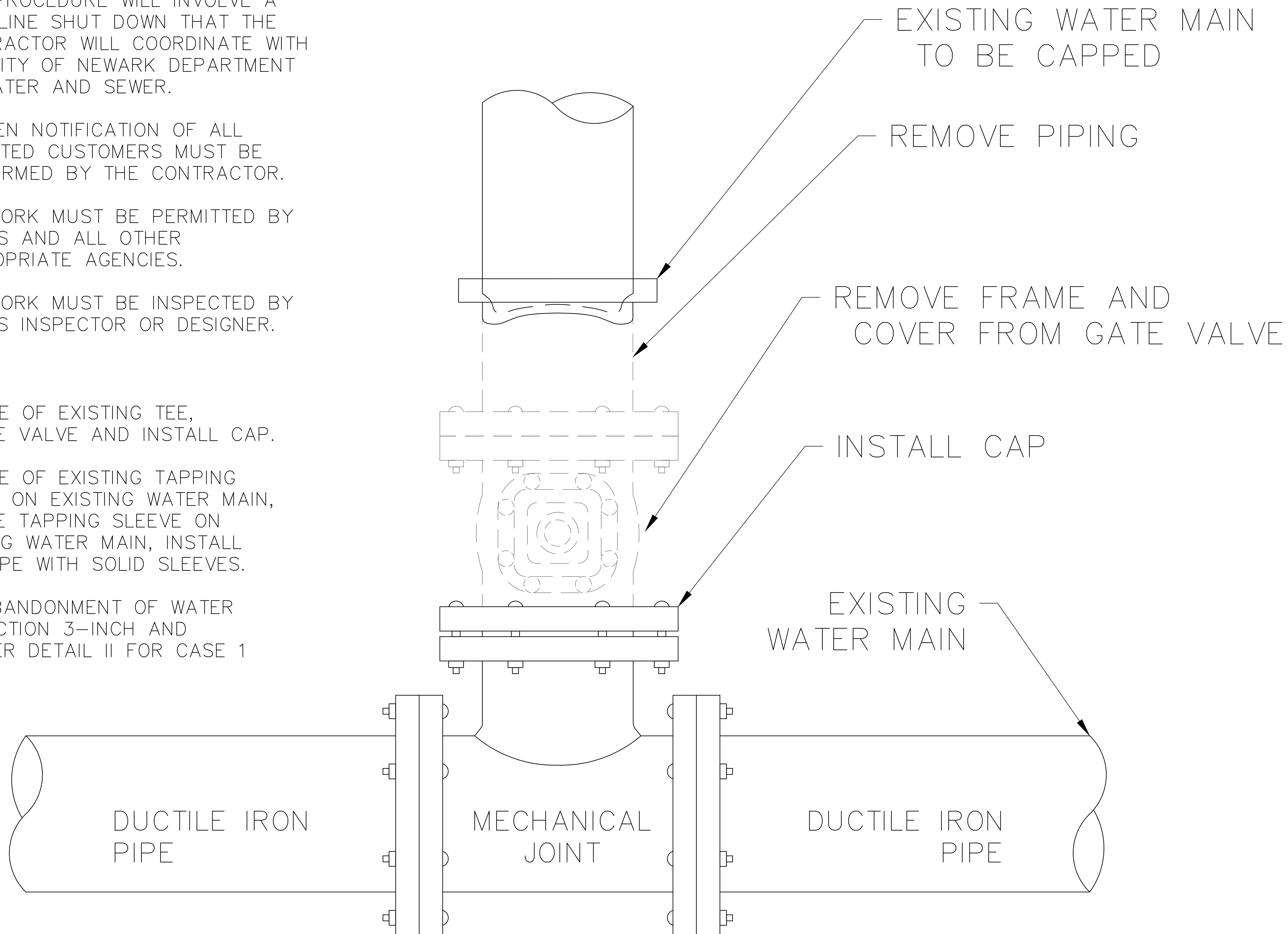
NOTES:

1. ALL WORK MUST BE PERFORMED BY A LICENSED AND BONDED CONTRACTOR APPROVED BY THE CITY OF NEWARK DEPARTMENT OF WATER AND SEWER (NDW&S).
2. THIS PROCEDURE WILL INVOLVE A MAIN LINE SHUT DOWN THAT THE CONTRACTOR WILL COORDINATE WITH THE CITY OF NEWARK DEPARTMENT OF WATER AND SEWER.
3. WRITTEN NOTIFICATION OF ALL AFFECTED CUSTOMERS MUST BE PERFORMED BY THE CONTRACTOR.
4. ALL WORK MUST BE PERMITTED BY NDW&S AND ALL OTHER APPROPRIATE AGENCIES.
5. ALL WORK MUST BE INSPECTED BY NDW&S INSPECTOR OR DESIGNER.

\* IN CASE OF EXISTING TEE, REMOVE VALVE AND INSTALL CAP.

\*\* IN CASE OF EXISTING TAPPING SLEEVE ON EXISTING WATER MAIN, REMOVE TAPPING SLEEVE ON EXISTING WATER MAIN, INSTALL NEW PIPE WITH SOLID SLEEVES.

\*\*\* SEE ABANDONMENT OF WATER CONNECTION 3-INCH AND GREATER DETAIL II FOR CASE 1 AND 2



CREATED: 2-20-2023

WATER - DETAIL 24

CITY OF NEWARK, NEW JERSEY

**ABANDONMENT OF WATER CONNECTION  
3-INCH AND GREATER DETAIL**

