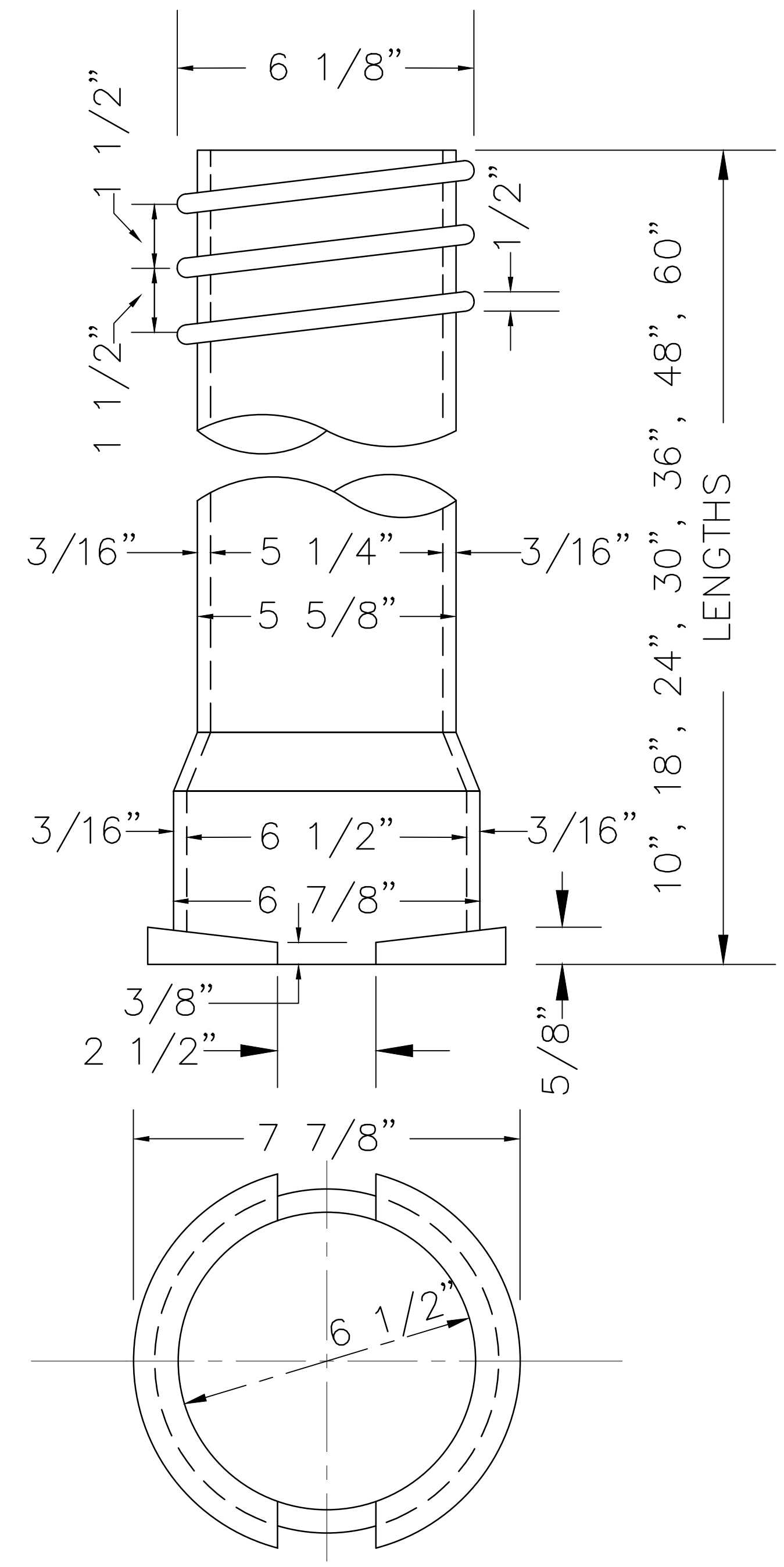
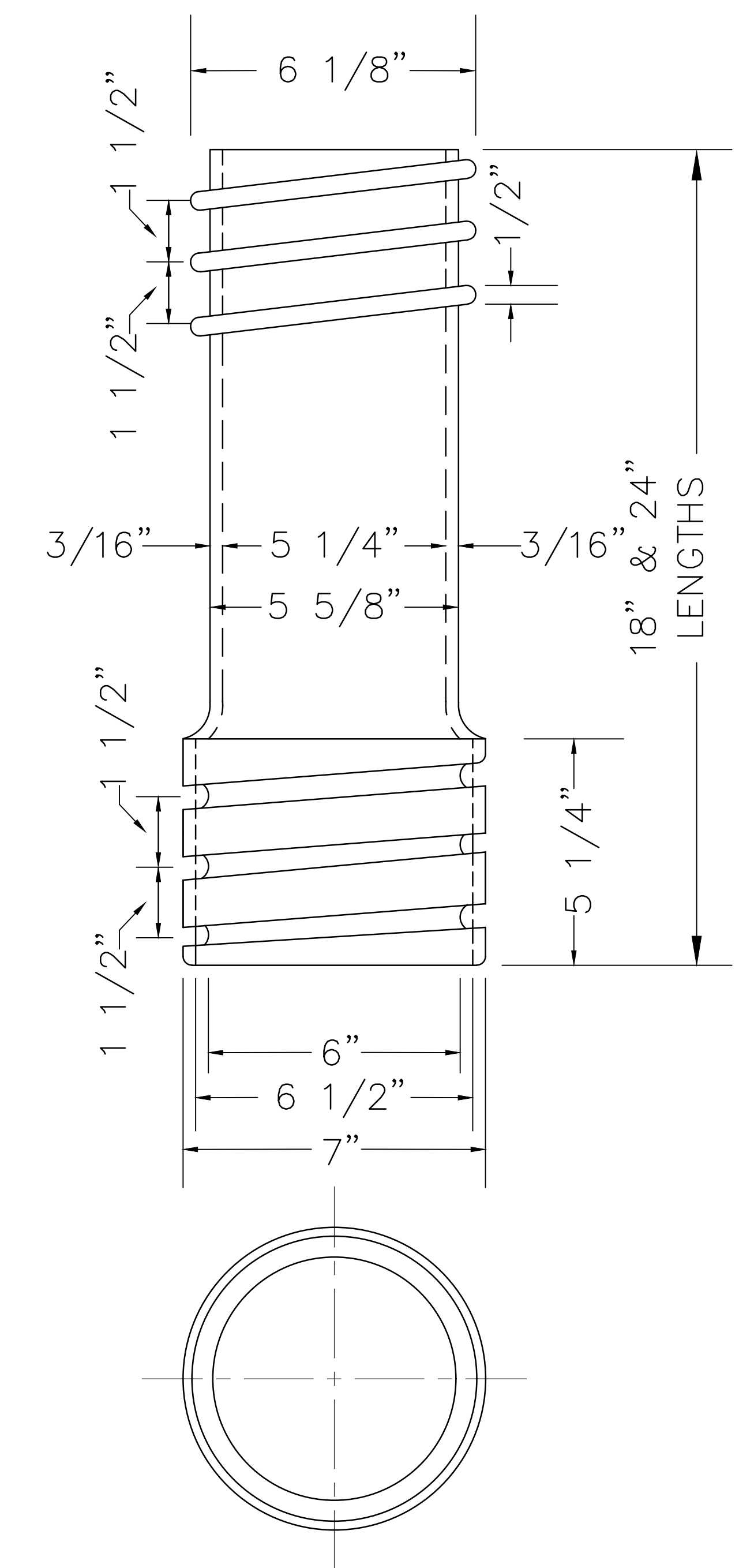


UPPER SECTION
 SQUARE COVER



BOTTOM SECTION



EXTENSION

TYLER UNION MODEL XXX
 OR APPROVED EQUAL

CREATED: 2-20-2023

WATER - DETAIL 17

CITY OF NEWARK, NEW JERSEY

HIGH PRESSURE VALVE BOX DETAIL

