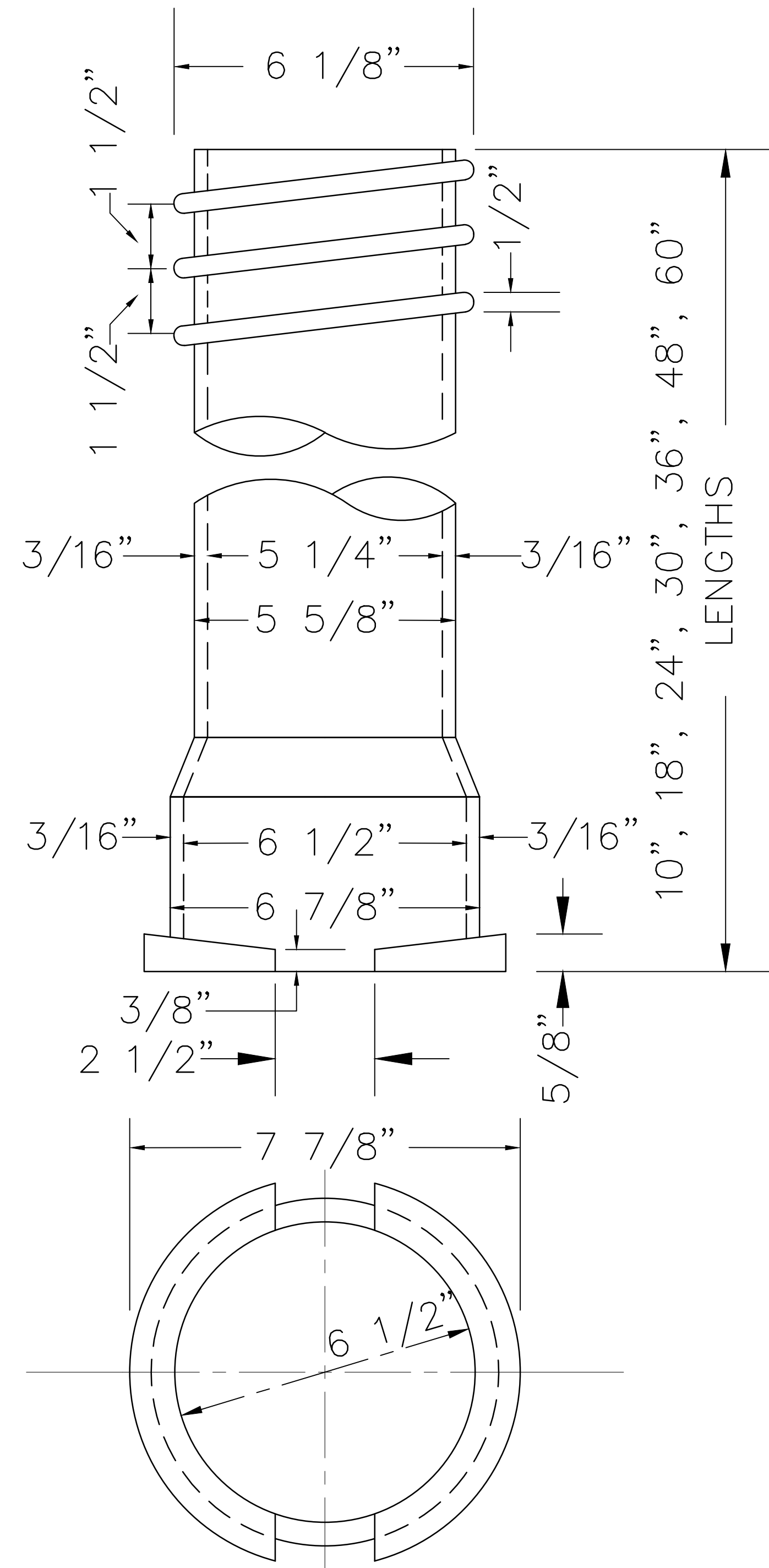
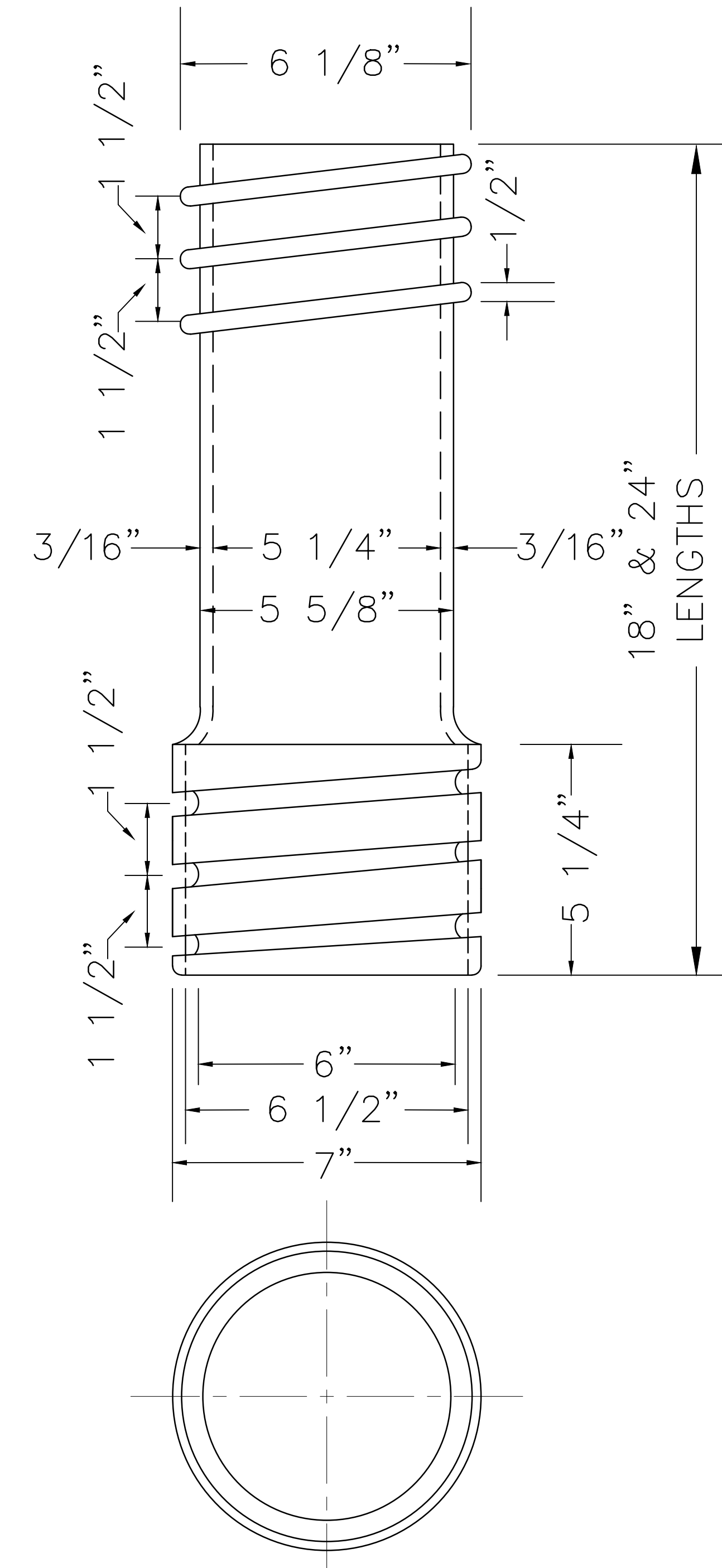


UPPER SECTION
ROUND COVER



BOTTOM SECTION



EXTENSION

TYLER UNION MODEL XXX
OR APPROVED EQUAL

CREATED: 2-20-2023

WATER - DETAIL 16

CITY OF NEWARK, NEW JERSEY

LOW PRESSURE VALVE BOX DETAIL

